

Ring Pump®

RP-TX シリーズ



Features

- The world smallest level flow rate.
- Wide range of flow levels are possible by using different pumpheads.
- Docking of the pumphead can be done easily by using three screw bolts.
- Autoclave sterilizable pumphead is available.

Examples of application

Analytical instruments, medical devices, cell culturing experiments and many other usage where micro-fluidic control is needed.

Main specifications

Flow rate ($\mu\text{L}/\text{min}$)*	0.03 - 40
Tubing	Silicone, Olefin
Motor/Power source	Stepper motor DC 3V
Material of main parts	Case : PC/ABS etc.
Weight (for reference)	Approx. 13.5g

*Flow rate is at revolution speed 1 - 1,000 pps (1/4 micro step).

Replaceable Pumphead Motor Controller



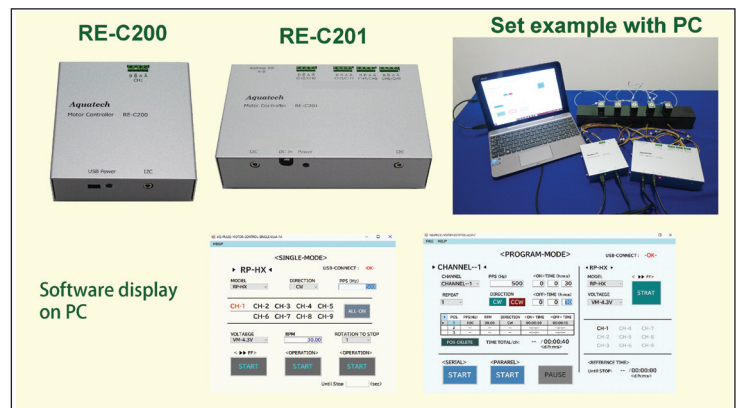
Replaceable pumphead
ARTBS0.5X1.5-K

Replaceable pumphead
ARTBS0.5X1.5-K5

Autoclave sterilizable

RE-F100
RE-C100
Motor controller and display
for RP-TX pumps

New Motor Controller RE-C200 & C201



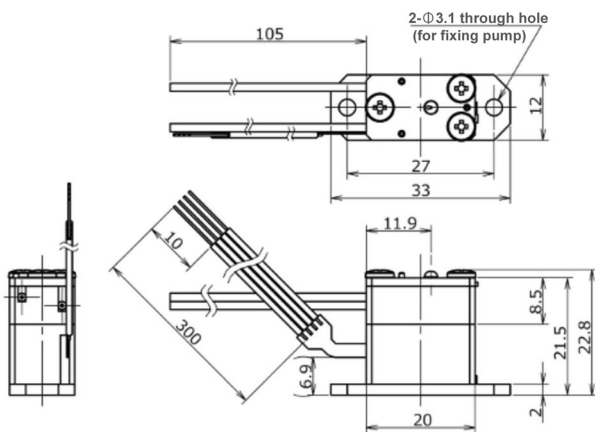
RE-C200

RE-C201

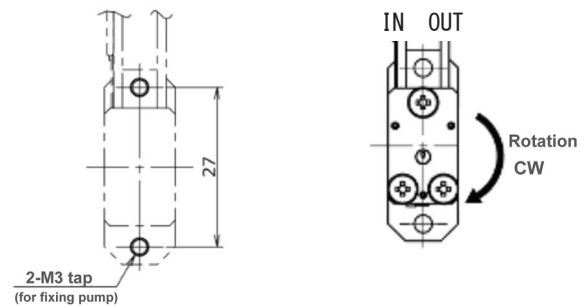
Set example with PC

Software display
on PC

Outline view



Mounting plate view Flow direction in CW revolution



Model Lineup

Model Lineup	Pumphead	Voltage (DC/V)	Flow rate ($\mu\text{L}/\text{min}$)	Tubing	
				Type	IDxOD (mm)
RP-TXP5S-P04A-DC3VS	AR-TBS0.5X1.5-K	3	0.03 - 40	Silicone (S)	0.5 x 1.5
RP-TXP5S-P04L-DC3VS	AR-TBS0.5X1.5-K5 (sterilizable)	3	0.03 - 40	Silicone (S)	0.5 x 1.5
RP-TXP5F-P03A-DC3VS	AR-TBF0.5X1.5-K	3	0.03 - 30	Olefin (F)	0.5 x 1.5

Flow rate in using our motor controller

Model Lineup	RE-C 100 ($\mu\text{L}/\text{min}$)		RE-C 200, C-201 ($\mu\text{L}/\text{min}$)
	1/4 micro step	1/8 micro step	
RP-TXP5S-P04A-DC3VS	0.48 - 40	0.24 - 20	0.03 - 40
RP-TXP5S-P04L-DC3VS	0.48 - 40	0.24 - 20	0.03 - 40
RP-TXP5F-P03A-DC3VS	0.36 - 30	0.18 - 15	0.03 - 30